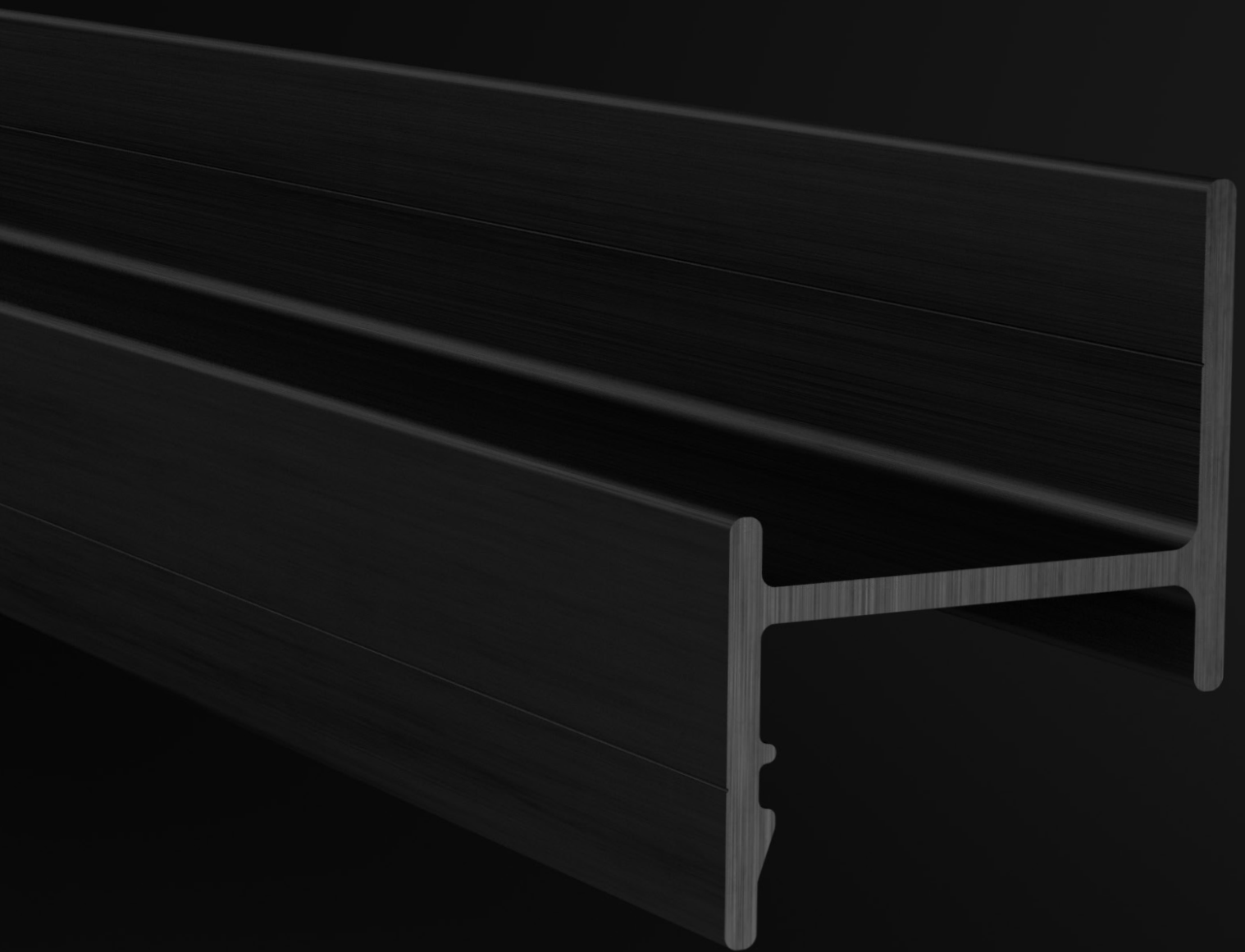


# exo girt

Building Efficiency Redefined

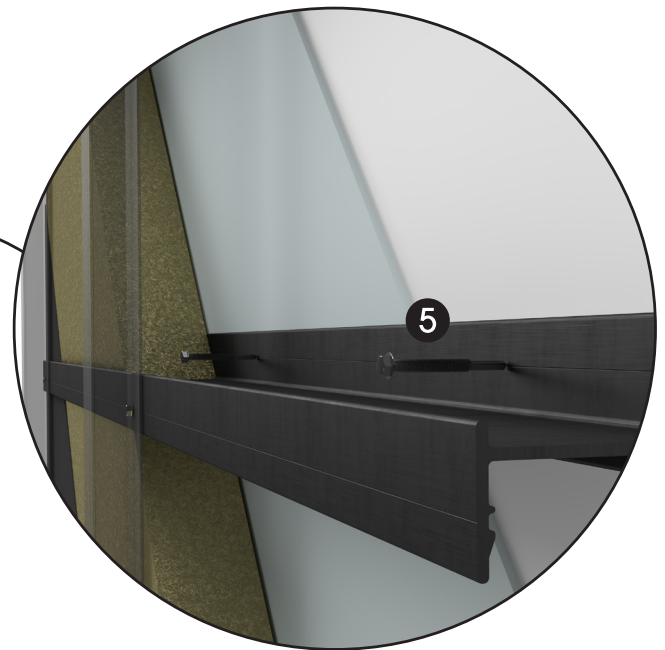
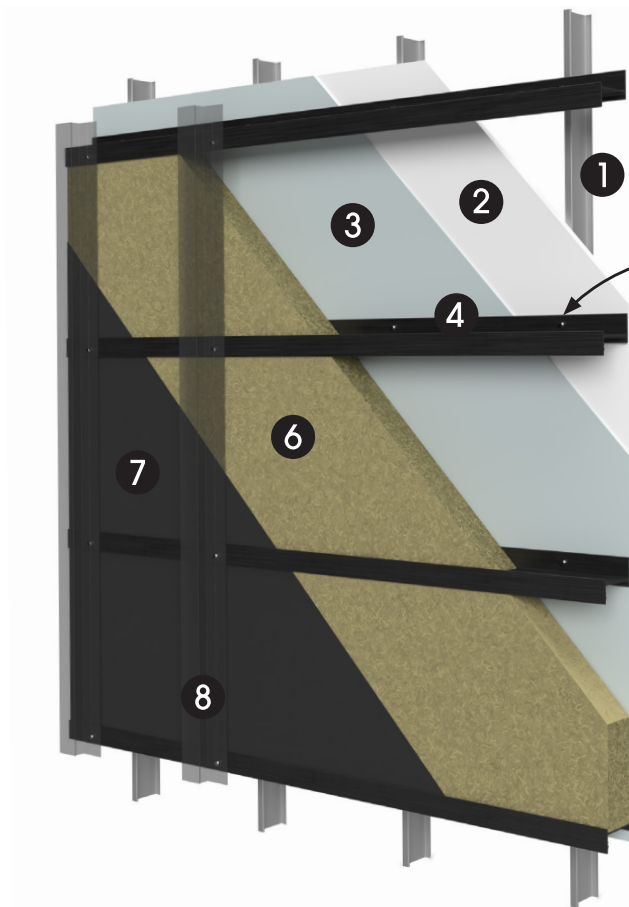


MADE IN THE U.S.A.

[EXO-GIRT.COM](http://EXO-GIRT.COM)

# Introducing **exoGIRT™**

Achieve superior performance with our wide size range, seamless installation, exceptional strength, concealed aesthetics, and versatile design options. Trust **exoGIRT** for efficient, rigorously tested, and reliable sub-framing solutions that optimize energy efficiency and enhance project outcomes.



1. Structure (Studwall, CMU Block, etc.)
2. Exterior Sheathing
3. Weather Resistant Barrier
- 4. exoGIRT**
5. Self Drilling Fasteners
6. Insulation
7. Insulation Facing
8. Panel Framing

## Features

**Superior Strength** The newly formulated exoGIRT has been engineered to provide best-in-class strength, withstanding bending, screw pull-out, and other structural stresses.

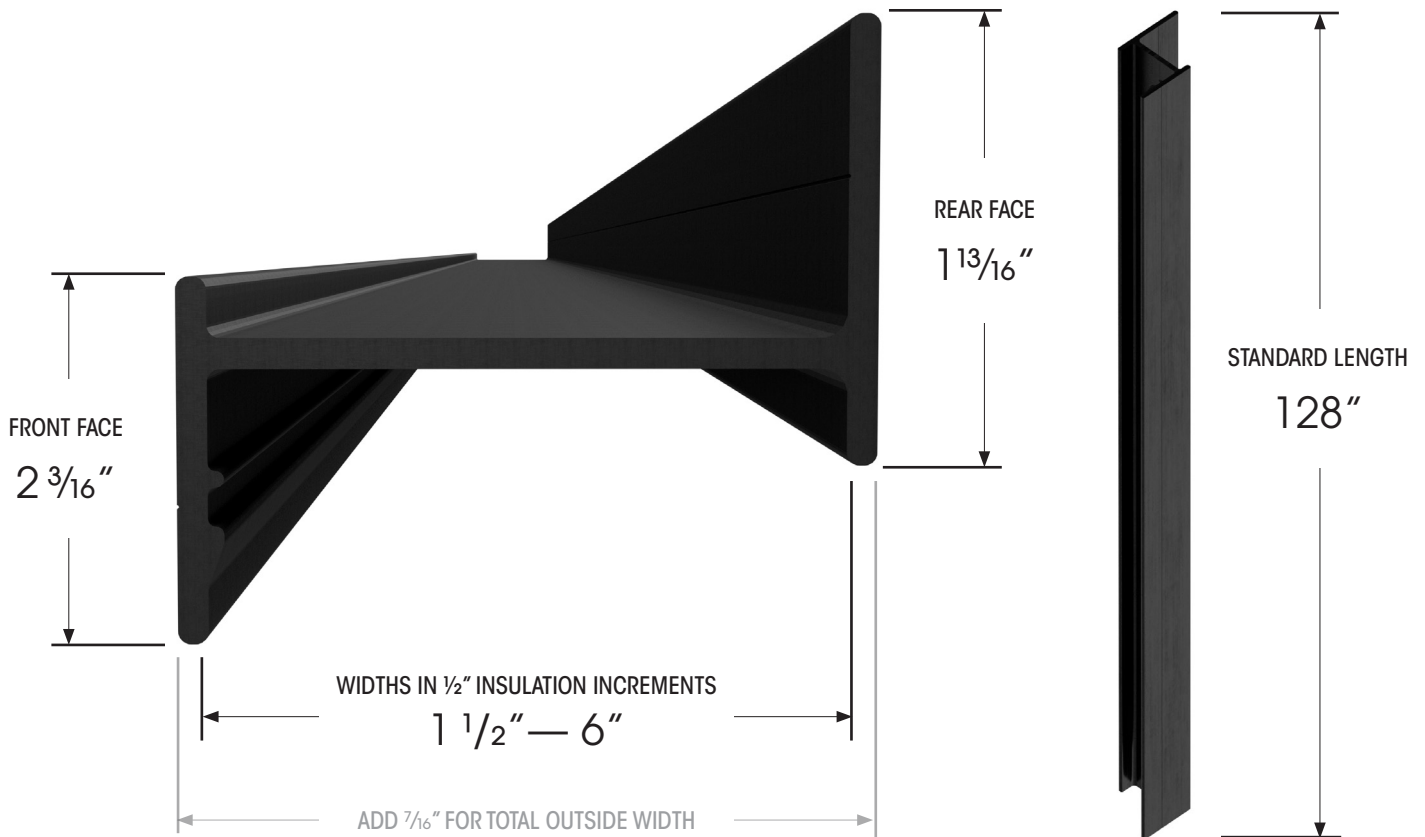
**Energy Efficiency** As buildings strive for improved energy efficiency and envelope performance, exoGIRT contributes to these goals by offering thermally efficient sub-framing, reducing heat loss, and enhancing the overall energy performance of the structure.

**Seamless Appearance** With exoGIRT, you have the flexibility to design wall sections in various orientations (vertical or horizontal) and choose whether the girts are visible or hidden, providing greater freedom for customization.

**Enhanced Thermal Performance** exoGIRT ensures the continuity of insulation, improving thermal efficiency and virtually eliminates heat transfer.

**Installer-Friendly Features** The design of exoGIRT incorporates features that make it easy for installers to fit insulation in between the flanges without routing, place fasteners accurately, and achieve proper stud spacing without the need for pre-drilling.

**Safety & Testing** exoGIRT has undergone rigorous testing to meet the latest safety standards, giving you peace of mind regarding its performance and reliability.

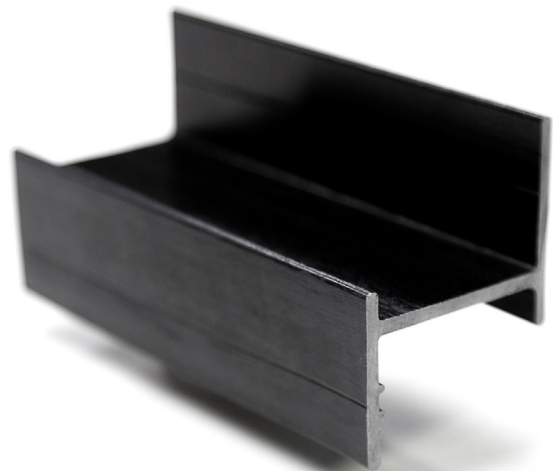


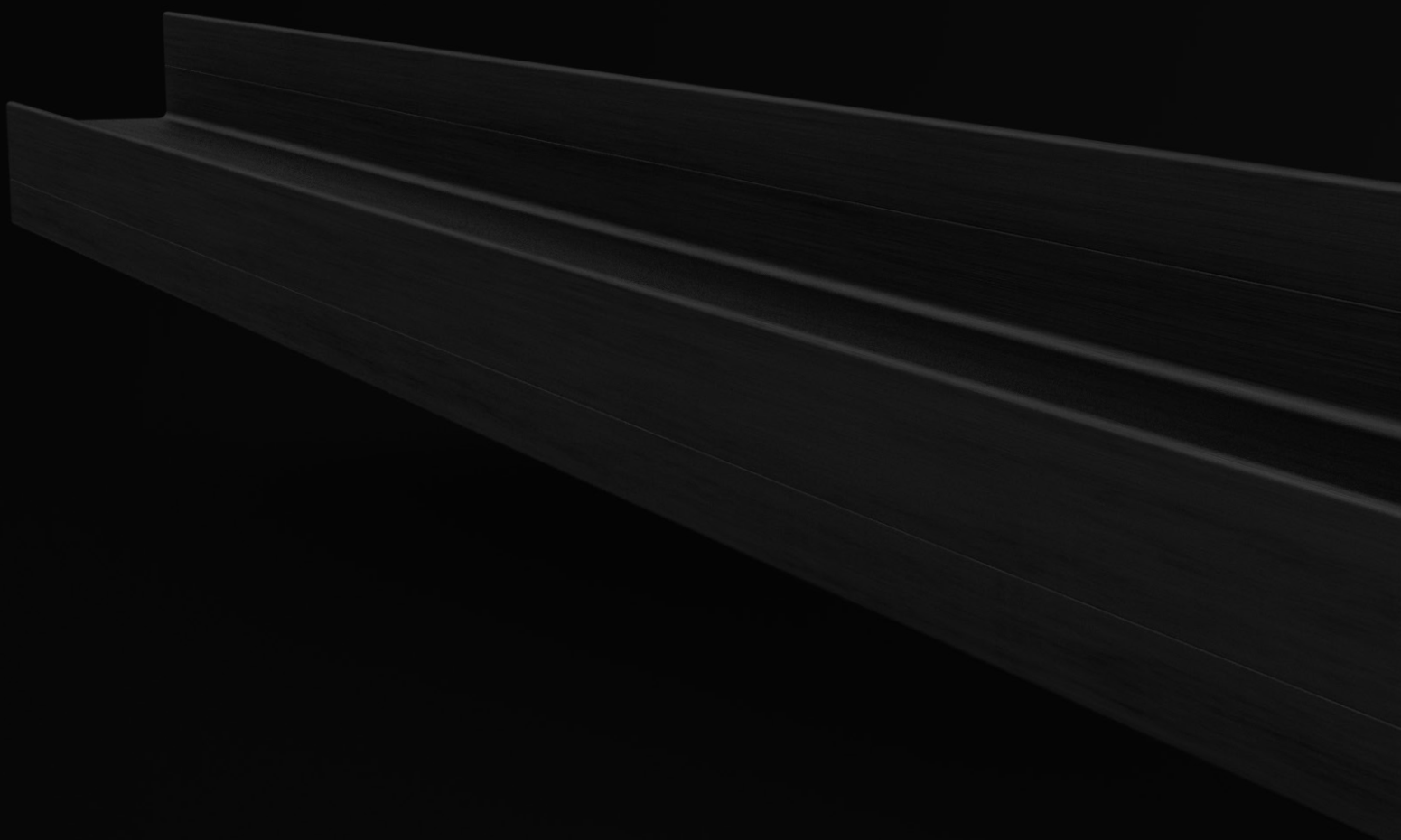
## Physical Properties

Test	Description	Result
ASTM D790	Flexural Modulus	7.8 Mpsi
	Flexural Strength	180,000 psi
ASTM D792	Density	0.076 lbs/in <sup>3</sup>
	Stiffness to Weight	3.6 FM/SG
ASTM E1530	Thermal Conductivity	1.522 (BTU-in/hr-ft <sup>2</sup> -F)
ASTM E84	Fire and Smoke	Class 1
ASTM D4812	Un-notched Beam Impact	>76.8 (ft-lb/in)
ASTM D2344	Short Beam Shear	>9,000 psi
ASTM D953	Bearing Strength (long)	1,950 lbs
	Bearing Strength (trans)	1,129 lbs
ASTM D732	Shear Strength	21,100 psi
ASTM D1761	Fastener Withdrawl (#14)	910 lbs
	Fastener Withdrawl (#12)	686 lbs
ASTM D7332	Fastener Pull-Through (#14)	1,020 lbs
	Fastener Pull-Through (#12)	977 lbs

## Characteristics

Property	Description
Front Face	2 3/16"
Rear Face	1 13/16"
Standard Widths (1/2" Increments)	1 1/2" — 6"
Standard Length	128"
Color	Black
Material	Proprietary FRP
Custom Dimensions	Available upon request





## **exoGIRT™**

528 Braddock Avenue,  
Turtle Creek, PA 15145  
[www.exo-girt.com](http://www.exo-girt.com)

### **Contact**

Mike Allen, Director of Sales  
[mallen@exo-surfaces.com](mailto:mallen@exo-surfaces.com)  
(816) 489-5711